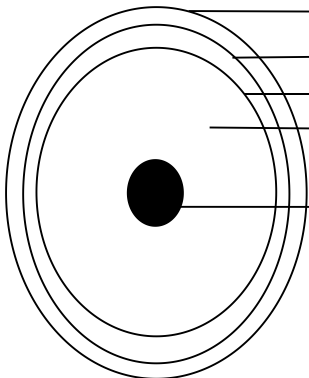
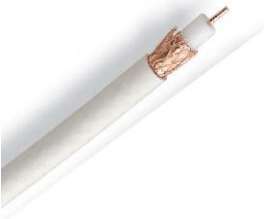




Coaxial Cable Specification Sheet

| ITEM | | RG6 | SAMPLE NO. | CONSTRUCTION D.W.G | | | |
|--|---|-----------------|---|--|---|---------------|--|
| Conductor | Size | 1.02MM |  | Jacket PVC |  | | |
| | Conductor | CCS | | Braiding foil | | | |
| | Structure | 1/1.02mm±0.01mm | | Insulation FPE | | conductor ccs | |
| Insulation | Material | FPE | | ISO9001 CE  | | | |
| | Diameter | 4.6mm±0.2mm | | | | | |
| | Thickness | 1.27mm | | | | | |
| | Color | White | | | | | |
| Shielded | Material | AL foil | | | | | |
| Braidings | Material | Aluminum | | | | | |
| | Size | 0.12 | | | | | |
| | Number | 128 | | | | | |
| Jacket | Material | PVC | | | | | |
| | Thickness | 0.82mm-0.83mm | | | | | |
| | Diameter | 6.9mm±0.1mm | | | | | |
| | Color | Black | | | | | |
| REMARK | APTEK COAXIAL CABLE RG6 P.N#603-1008 (1719C) 001M (001.....305M) | | | | | | |
|  ShenZhen Brother Young Development Co.,Ltd | | | CUSTOMER APPROVED | | | | |
| | | | PRODUCT TITLE | | RG6 | | |
| A First edition Revisor REA Revision describeion Date 2017-8-23 | | | PRODUCT CODE | | | | |
| | | | APPROVED | | | | |
| | | | CHECKED | | | | |