

VOLKTEK

MEN-3406 Series

Managed Layer 2 Access Gigabit Ethernet Switch

4-port 10/100/1000Base-T + 2-slot Gigabit SFP

Description

The MEN-3406 is an entry level access switch which belong to serial products for villages. The Switch is designed to deliver power and reliability in one cost-effective equipment, a scalable and future-proof network solution to fit the network requirements of families and small communities. Providing the ideal combination of affordability and excellent switching capabilities, it helps to create an efficient network at relatively cost effective. Built with powerful chipset and richly equipped with much software features, the switch delivers maximum performance and enables service providers to operate their network more efficiently.

Designed with 4 downlink copper ports that deliver 10/100/1000Mbps speeds, the MEN-3406 is a perfect effective cost solution for service providers who want to offer high-value Ethernet services for low density subscriber base with medium ARPU. Equipped with Dual 100/1000 Multi-rate SFP uplinks which can be configured as ring ports to provide link redundancy in gigabit fiber based ring architecture networks, or daisy chain to extend distance.



Features Highlight

Unparalleled Network Performance

Excessive and unnecessary inbound unicast, multicast or broadcast traffic on physical interfaces can degrade your network performance and can even result in complete loss of network service. Storm control and traffic monitor features of the MEN-3406 enables ISPs to effectively monitor and limit incoming traffic to prevent disruption of LAN ports. In addition, Loop detection on the switch identifies loops in the network and disables the relevant ports to avoid loop storms, preventing LAN degradation and achieving maximum network performance. These features along with auto-recovery timer deliver robotic methods to control your network automatically.

Stable and Reliable Device Operations

Abnormal power supply puts extra strain on the components of the switch, wearing it down over time and resulting in increased network downtime. Built with increased level of power supply protection, the MEN-3406 features OCP, OVP and Surge protection to ensure stable and reliable device operations. Surge protector function on each copper port and protects the ports as well as device from surges entering through LAN cables. Even in unstable power conditions, these features of the switch prevent sudden network downtime protecting your infrastructure investments and avoiding unnecessary operational expenditure.



Comprehensive QoS Mechanisms to Assign Priority

Network applications need different levels of services delivered to them reliably without any transmission delays and interruptions. The MEN-3406 has comprehensive QoS mechanisms that assign priority to applications and send only specific dedicated traffic to them. In addition, bandwidth management functions of the switch allocate greater bandwidth for mission-critical communications. With increased control, administrators can prevent unpredictable errors and utilize the bandwidth more effectively.

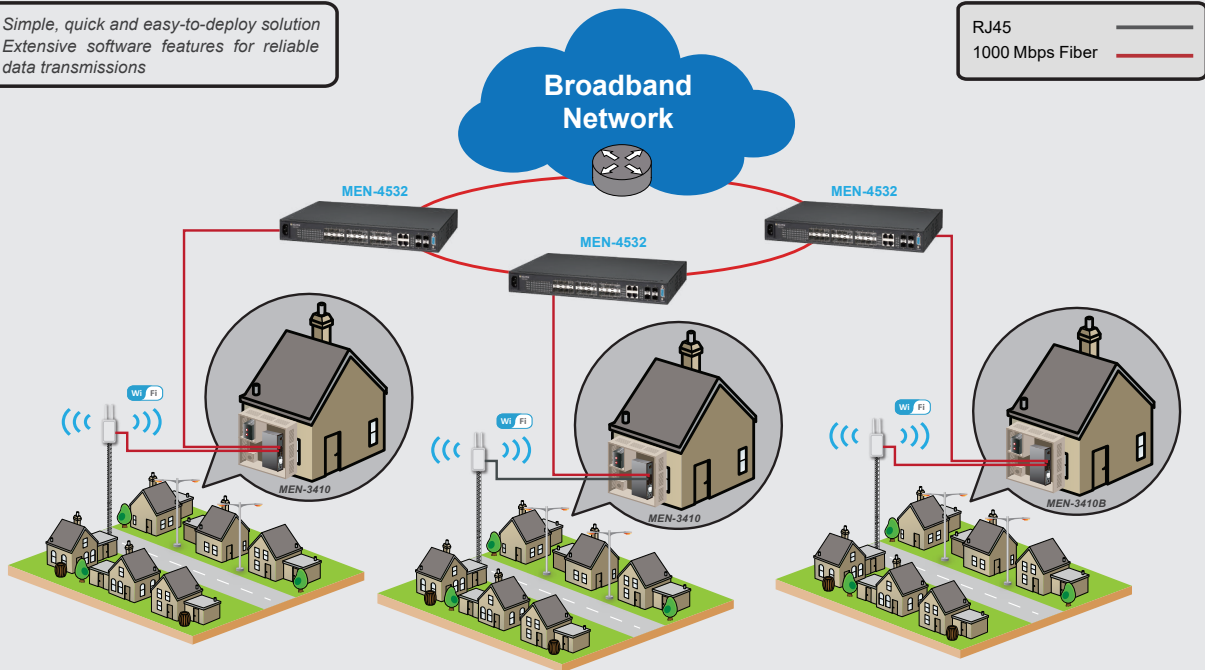
Efficient Network Monitoring and Management Tools

The MEN-3406 features SNMP, an industry standard management protocol, enables administrators to centrally manage and monitor the network, and easily but quickly identify issues that impact network performance. Supported by SNMP traps, the switch allows administrators to monitor unsolicited SNMP trap messages and maintain a helpful network status data for managing a healthy network. And in the event of network malfunction, Email alarm feature of the switch sends email alerts to notify administrator regarding real time network problems. These efficient features speed up and simplify network monitoring and troubleshooting, reducing operational head burden.

Applications

High-quality data services in a small but powerful package

- ▶ Simple, quick and easy-to-deploy solution
- ▶ Extensive software features for reliable data transmissions



Aggregation Level

MEN-4532: 20-slot 100FX/Gigabit SFP, 4-port 100/1000 Combo + 4-slot Gigabit SFP Managed L2+ Aggregation Switch

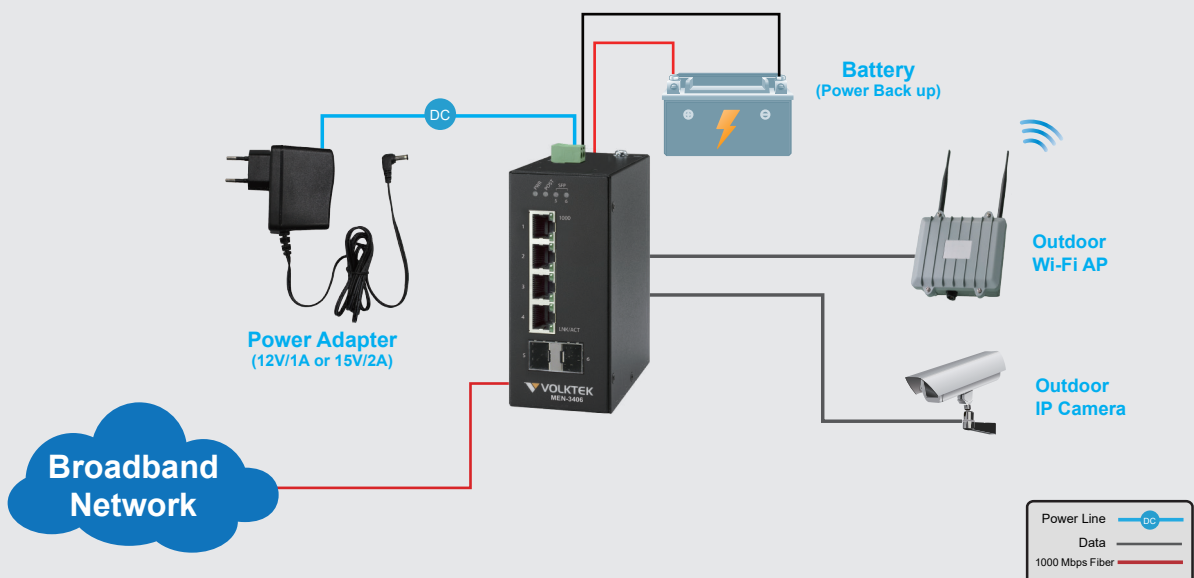
Access Level

MEN-3406: 4-port 10/100/1000Mbps, 2-slot 100/1000 SFP Managed L2 Access Switch

CPE

NHL-2140: 1-port 100/1000 WAN + 4-port 10/100/1000 LAN 802.11ac 2T2R Dual-Band Wireless Router

The INS-3406 is compatible with 10/100/1000Mbps through RJ45 transceivers to guarantee a strong, stable connection of Ethernet, Fast Ethernet or Gigabit Ethernet, providing flexible deployment options to satisfy industrial networking requirements



Specifications

Standards	
IEEE 802.3	10BASE-T
IEEE 802.3u	100BASE-TX/FX
IEEE 802.3ab	1000BASE-T
IEEE 802.3z	1000BASE-SX/LX
IEEE 802.3x	Flow Control
IEEE 802.1ab	LLDP
IEEE 802.1D	STP
IEEE 802.1w	RSTP
IEEE 802.1p	Class of Service
IEEE 802.1Q	VLAN Tagging
IEEE 802.1X	Port Authentication
IEEE 802.3az	EEE
Interface	
Ports	4x10/100/1000BASE-T RJ45 Ports 2x100FX/Gigabit SFP Slots
LED Panel	PWR, POST, 1000, LNK/ACT, SFP
Features	
Performance	Jumbo frame Size: 10KBytes
	MAC Table Entries: 8K
	Active VLAN: 256
	Switch Fabric: 12Gbps L2 Forwarding Rate: 8.92Mpps
Management	CLI, Telnet/SSH, HTTP, SNMP v1/v2c/v3, SNMP Trap, MVLAN, Firmware Upgradable, Configuration Backup/Restore, Syslog, SNTP, LLDP, DHCP Client, DHCP Option 82, DHCP Relay, e-mail Alarm, Server Control, Mirroring, DDM, Dying Gasp (depends)
Reliability	STP/RSTP, Dual Homing, LACP, Code Redundancy
VLAN	IEEE 802.1Q, Port-based VLAN, MAC-based VLAN, QinQ
Traffic Control	IGMP snooping/Throttling/Proxy, QoS, Flow Control, Abnormal Traffic Detection, Rate Limit, Storm Control, Traffic Monitor, Port Isolation, Loop Detection

Note:

* The SFP communication distance upon the request.

* Industrial SFP with wide operating temperature from -40°C~85°C is available upon request.

* Specifications subject to change without notice.

Features	
Security	ACL, SSH, Port-based 802.1x, Port Security, MAC Search, Static MAC, DHCP Snooping, DHCP Sever Screening, ARP Inspection, BPDU Guard/Filter, Root Guard, Management Host, Switch Lock (depends)
Power	
Input Voltage	MEN-3406: 12VDC/1A Power Adapter MEN-3406B: 15VDC/2A (Battery charge)
	Redundant inputs: 12V Battery (only for battery charge version)
Power Consumption	10W (System)
Mechanical and Environment	
Housing	Metal Case
Mounting	Rack Mount
Operating Temperature	0°C~600°C
Storage Temperature	-20°C~70°C
Operating Humidity	10 to 80% RH (non-condensing)
Storage Humidity	5 to 95% RH (non-condensing)
Weight	529g
Dimension (WxHxD)	46x116x100 mm (1.8x4.6x3.9 inch)
Certifications	
Electromagnetic Compatibility	CE Mark FCC Class A EN 55032 (CISRP 32) Class A EN 61000-3-2/3
Ordering Information	
MEN-3406	4x10/100/1000 + 2-slot 100FX/Gigabit SFP, L2 Managed Switch, w/ External AC Power Adapter
MEN-3406B	4x10/100/1000 + 2-slot 100FX/Gigabit SFP, L2 Managed Switch, w/ External AC Power Adapter, Battery Charge Function Included
MEN-3406BS	4x10/100/1000 + 2-slot 100FX/Gigabit SFP, L2 Managed Switch, w/ External AC Power Adapter, RS232 Console, Battery Charge Function Included
Optional Accessories	
GBM-123TS	1000BASE-LX, Bi-Di SFP TX:1310/RX:1550, Single Mode, 10Km
GBM-123RS	1000BASE-LX, Bi-Di SFP TX:1550/RX:1310, Single Mode, 10Km
GBM-132TS	100BASE-FX, Bi-Di SFP TX:1310/RX:1550, Single mode, 20Km
GBM-132RS	100BASE-FX, Bi-Di SFP TX:1550/RX:1310, Single mode, 20Km

Dimension

